



H-TYPE

Additional Instructions

Replacing the winder

IMPORTANT
READ CAREFULLY BEFORE USE
KEEP FOR FUTURE REFERENCE

All rights reserved.

Property of Dürkopp Adler AG and protected by copyright. Any reuse of these contents, including extracts, is prohibited without the prior written approval of Dürkopp Adler AG.

Copyright © Dürkopp Adler AG 2017

1	General information	3
2	Disassembling the old tensioning plate	5
3	Assembling the new tensioning plate	8

1 General information

The H-TYPE machines come with a new winder that is part of the tensioning plate. This makes it necessary to change the entire tensioning plate in order to replace the winder.

Versions of the tensioning plate

The tensioning plate of the H-TYPE machine is available in four versions: ECO, CLASSIC, ECO Long, CLASSIC Long. You need to select a new tensioning plate that matches the corresponding machine type:

Machine type	Part number OLD	Part number NEW
ECO	H667 110244	H667 110524
CLASSIC	H667 110254	H667 110534
ECO Long	H667 110424	H667 110544
CLASSIC Long	H667 110434	H667 110554

In addition to the new tensioning plate, you **MUST** order:

- Carrier for the control (H667 170844)
- Connection cable (ECO, CLASSIC - 9870 967009)
(ECO Long, CLASSIC Long - 9870 967010)

Fig. 1: Carrier for the control

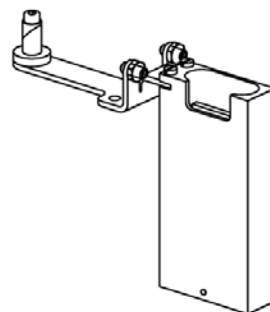
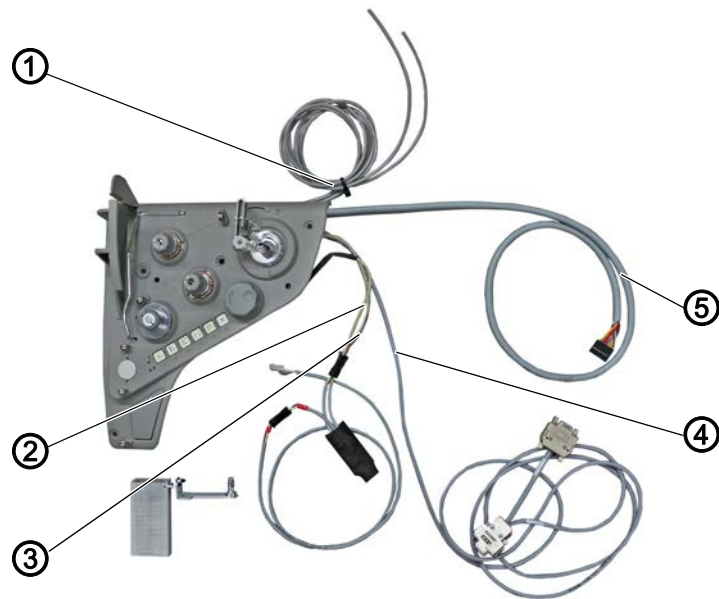


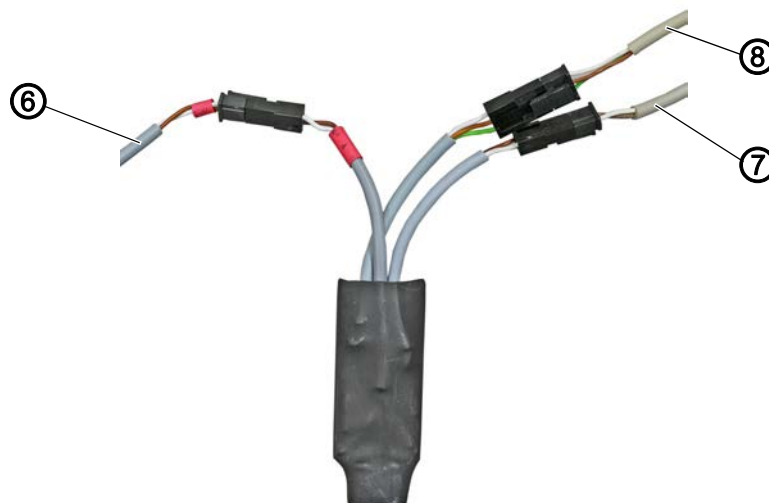
Fig. 2: Tensioning plate kit



- (1) - Pneumatic hoses
- (2) - Cable motor current
- (3) - Cable microswitch

- (4) - Cable electronic handwheel
- (5) - Cable push button panel

Fig. 3: Control motor



Cables of the control:

No.	Description
⑥	Cable supply (labeled white, brown - red)
⑦	Cable microswitch (white, brown)
⑧	Cable motor current (green, white, brown)

2 Disassembling the old tensioning plate

WARNING



The tensioning plate may only be disassembled by qualified specialists.

Switch off the machine and disconnect the power plug before disassembling the tensioning plate.

Make sure the power plug cannot be unintentionally reinserted.

Fig. 4: Disassembling the old tensioning plate



(1) - Left arm cover

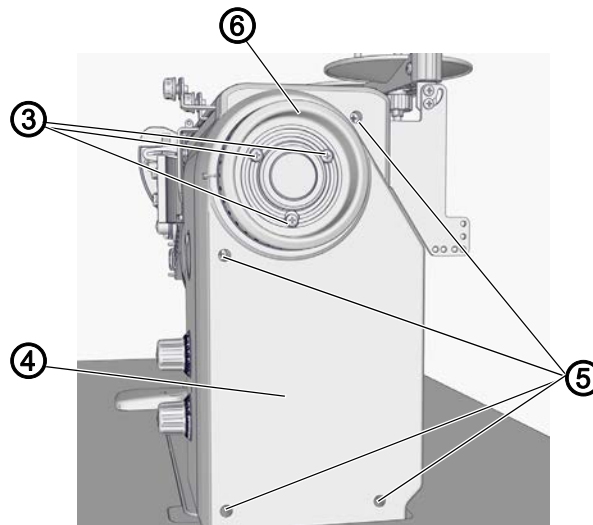
(2) - Right arm cover



To disassemble the old tensioning plate:

1. Switch off the machine.
2. Loosen 5 screws on the left arm cover (1).
3. Remove the left arm cover (1).
4. Loosen 5 screws on the right arm cover (2).
5. Remove the right arm cover (2) while disconnecting the cable of the lifter at the plug.

Fig. 5: Disassembling the old tensioning plate



(3) - Screw

(4) - Belt cover

(5) - Screw

(6) - Handwheel



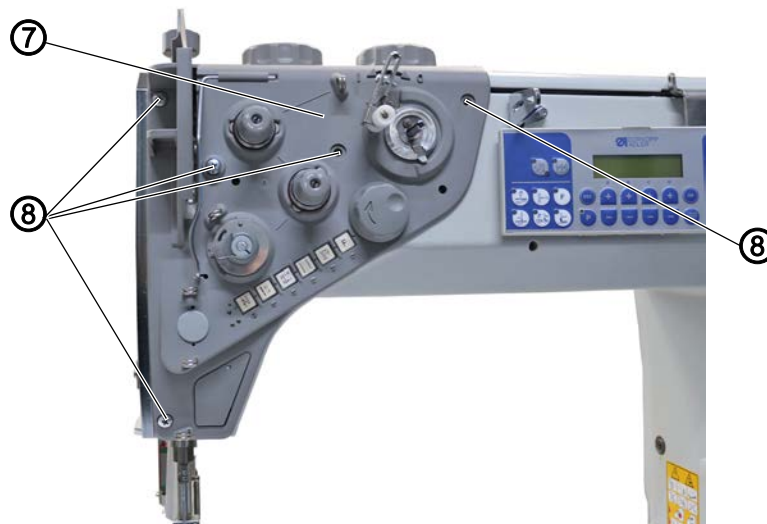
6. Loosen 3 screws (3) on the handwheel (6).

7. Remove the handwheel (6).

8. Loosen 4 screws (5) on the belt cover (4).

9. Remove the belt cover (4).

Fig. 6: Disassembling the old tensioning plate



(7) - Tensioning plate

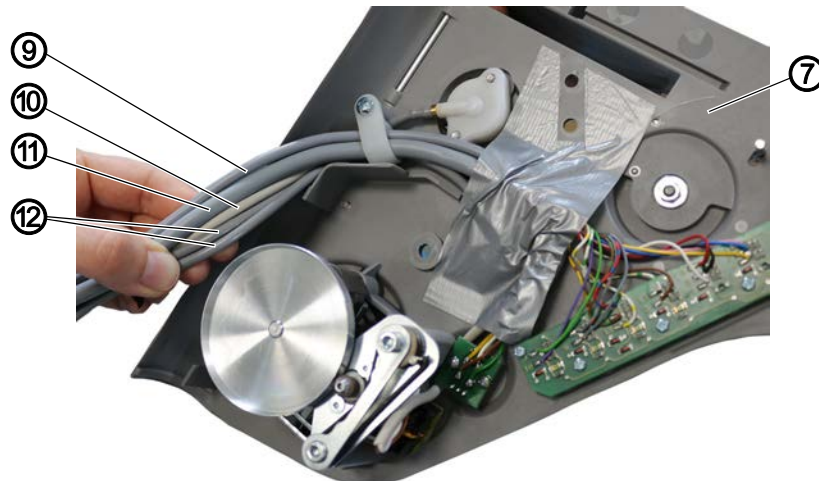
(8) - Screw



10. Loosen 5 screws (8) on the tensioning plate (7).

11. Pull the tensioning plate (7) slightly forward to remove it.

Fig. 7: Disassembling the old tensioning plate



(7) - Tensioning plate
(9) - Cable motor current
(10) - Cable electronic handwheel

(11) - Cable push button panel
(12) - Pneumatic hoses



12. Attached to the tensioning plate (7) are 3 cables (9) (10) (11) and 2 pneumatic hoses (12).

13. Carefully loosen the cables and the hoses from their installed positions inside the machine before detaching them from their slots.

14. Remove the old tensioning plate completely.

↪ The tensioning plate has been disassembled.

3 Assembling the new tensioning plate

WARNING



The tensioning plate may only be assembled by qualified specialists.

Switch off the machine and disconnect the power plug before assembling the tensioning plate.

Make sure the power plug cannot be unintentionally reinserted.

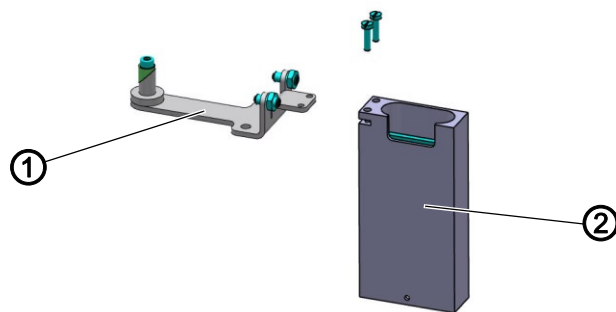
NOTICE

Property damage may occur!

The cables and hoses may become damaged by kinking, crushing or chafing.

Lay cables and hoses in such a way that they will NOT be kinked, pinched or chafed.

Fig. 8: Assembling the new tensioning plate



(1) - Holder

(2) - Carrier



To assemble the new tensioning plate:

1. Unscrew the holder (1) from the carrier (2) of the control.
2. Insert the holder (1) from below into the hole (3) in the machine arm.

Fig. 9: Assembling the new tensioning plate



(1) - Holder
(3) - Hole

(4) - Screw



3. Tighten the screw (4) from above.
↳ The screw (4) will clamp itself in place.

Fig. 10: Assembling the new tensioning plate



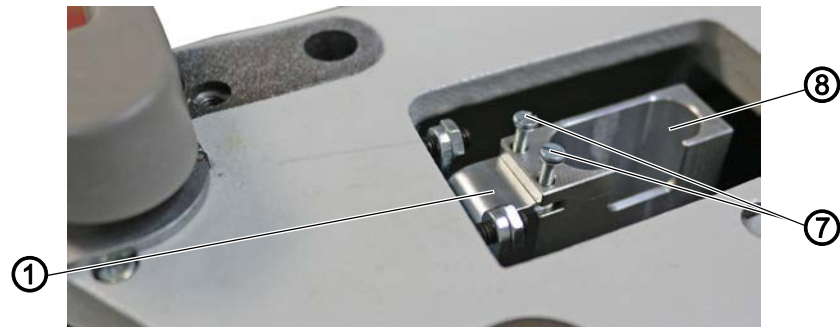
(1) - Holder
(5) - Counternut

(6) - Adjusting screw



4. Secure the holder (1) to prevent it from shifting using the adjusting screws (6) and the counternuts (5).

Fig. 11: Assembling the new tensioning plate



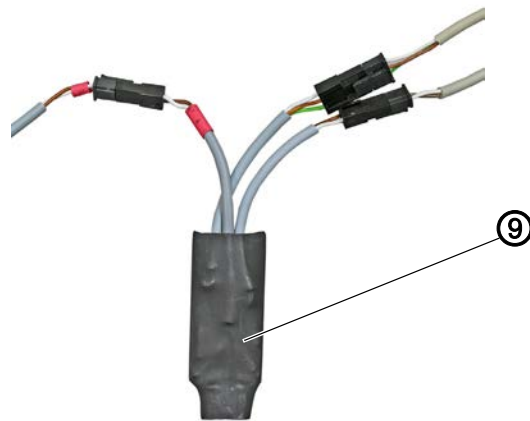
(1) - Holder
(7) - Screw

(8) - Carrier



5. Slip the carrier (8) of the control onto the holder (1) and tighten it using the screws (7).

Fig. 12: Assembling the new tensioning plate



(9) - Control



6. Loosen the 3 plugs of the cables to disconnect them from the control (9).
7. Place the control (9) into the previously assembled carrier (8).

Fig. 13: Assembling the new tensioning plate

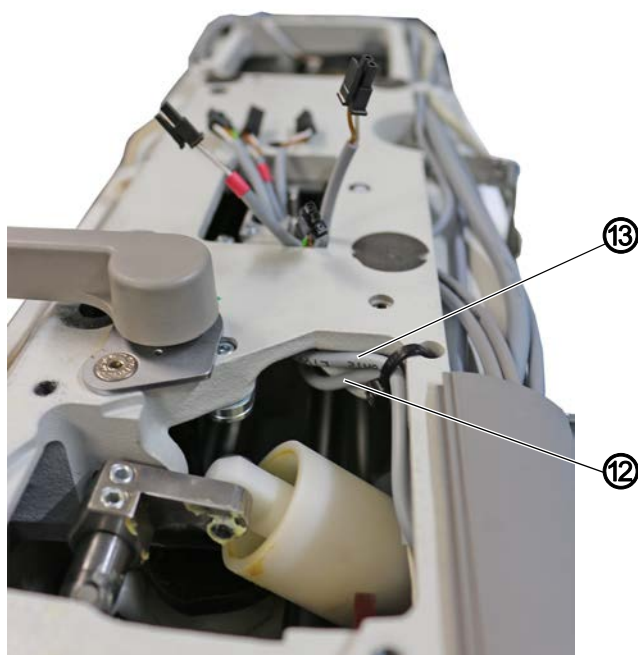


- | | |
|----------------------------|-----------------------------------|
| (10) - Tensioning plate | (13) - Pneumatic hoses |
| (11) - Cable motor current | (14) - Cable push button panel |
| (12) - Cable microswitch | (15) - Cable electronic handwheel |



8. Lay the 4 cables (11) (12) (14) (15) and pneumatic hoses (13) of the new tensioning plate (10) inside the machine as shown above.
9. Tighten the tensioning plate (10) using 5 screws.

Fig. 14: Assembling the new tensioning plate



- | | |
|----------------------------|--------------------------|
| (11) - Cable motor current | (12) - Cable microswitch |
|----------------------------|--------------------------|



10. Lay cables (11) and (12) behind the tensioning plate (10) and under the casting to the control (9).

Fig. 15: Assembling the new tensioning plate

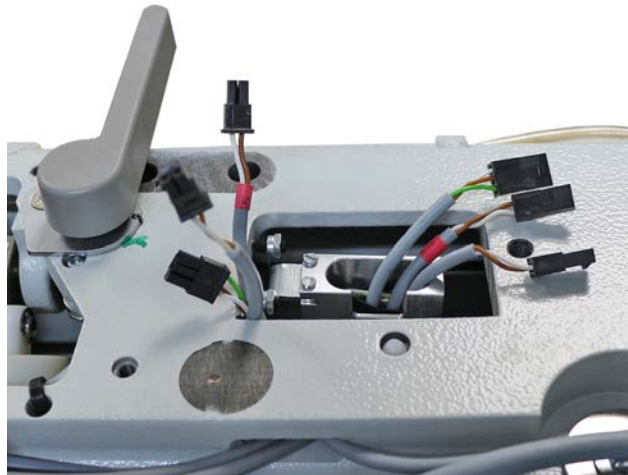


(16) - Connecting cable



11. Slip the connecting cable (16) (marked in red) through the slot and guide it to the control (9).

Fig. 16: Assembling the new tensioning plate



12. Use the plugs to connect the cables with the control:
 - white/brown - white/brown (marked in red)
 - white/brown - white/brown (2-prong plug)
 - green/white/brown - green/white/brown (3-prong plug)
13. Carefully push the plug down, preventing you from being pinched by the arm cover.
14. Lay cables (14) and (15) and the pneumatic hoses (13) in the same way as the old cables, avoiding any wear, crushing and shearing points.

Fig. 17: Assembling the new tensioning plate

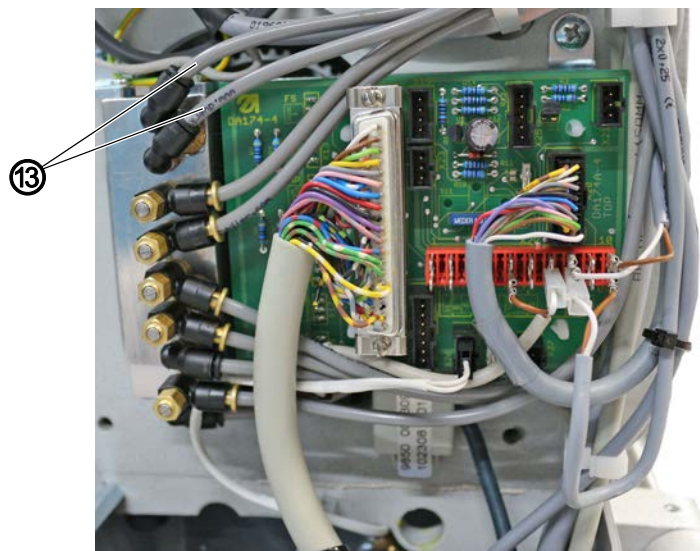


(17) - Plug



15. Insert the plug (17) of the cable used for the electronic handwheel (15) into the control.

Fig. 18: Assembling the new tensioning plate

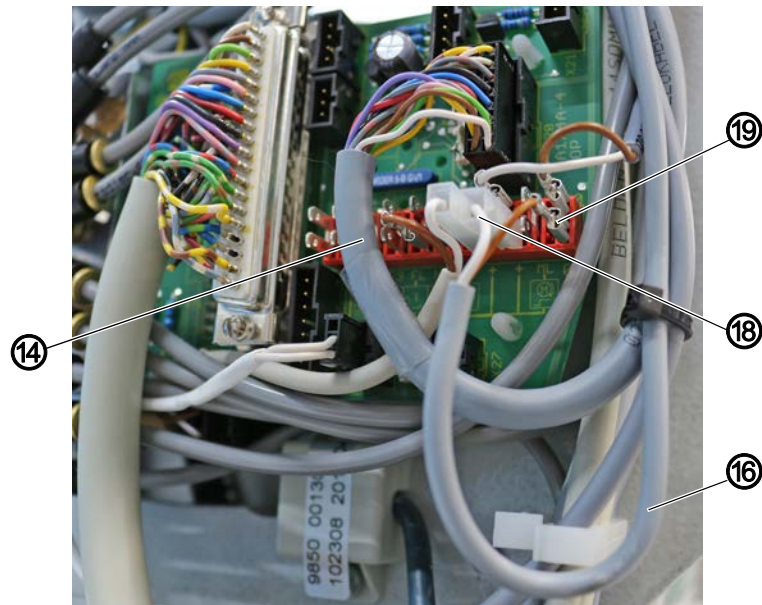


(13) - Pneumatic hoses



16. Slip the pneumatic hoses (13) onto the valves.

Fig. 19: Assembling the new tensioning plate



(14) - Cable push button panel
(16) - Connecting cable

(18) - Pin 8 (24V)
(19) - Pin 10 (0V)



17. Use the black plug to insert the cable of the push button panel (14) into the matching slot on the circuit board.
 18. Use the white plug and the brown plug to connect the connecting cable (16) that supplies power to the winder via the control to pin 8 (18) and pin 10 (19), respectively, of the X22 terminal strip on the circuit board.
 19. Place the belt cover back on and fix it in place with 4 screws.
 20. Assemble the handwheel and fix it in place with 3 screws.
 21. Tighten the right arm cover with 5 screws while reconnecting the lifter.
 22. Re-tighten the left arm cover using 5 screws.
 23. Plug the power cable back in.
 24. Switch on the machine.
- ↪ The machine is ready for sewing.



DÜRKOPP ADLER AG
Potsdamer Str. 190
33719 Bielefeld
Germany
Phone: +49 (0) 521 925 00
Email: service@duerkopp-adler.com
www.duerkopp-adler.com