



H-Type

Additional Instructions

Unwinding device of the needle thread

IMPORTANT
READ CAREFULLY BEFORE USE
KEEP FOR FUTURE REFERENCE

All rights reserved.

Property of Dürkopp Adler GmbH and protected by copyright. Any reuse of these contents, including extracts, is prohibited without the prior written approval of Dürkopp Adler GmbH.

Copyright © Dürkopp Adler GmbH 2021

1	Components of the kit.....	3
2	Operation of the device.....	4
3	Assembling, threading and setting up	5
3.1	Assembling	5
3.2	Threading of the needle thread	7
3.3	Setting	9

1 Components of the kit

Before assembling the additional device, check if the supplied kit **H667 590074** is complete.

Part number	Number	Description
H667 590140	2	Ring
9205 101528	2	Adjusting screw M3x3
H667 590090	1	Spring
H667 590130	1	Ring
H667 590083	1	Roller lever
H667 590070	1	Holder

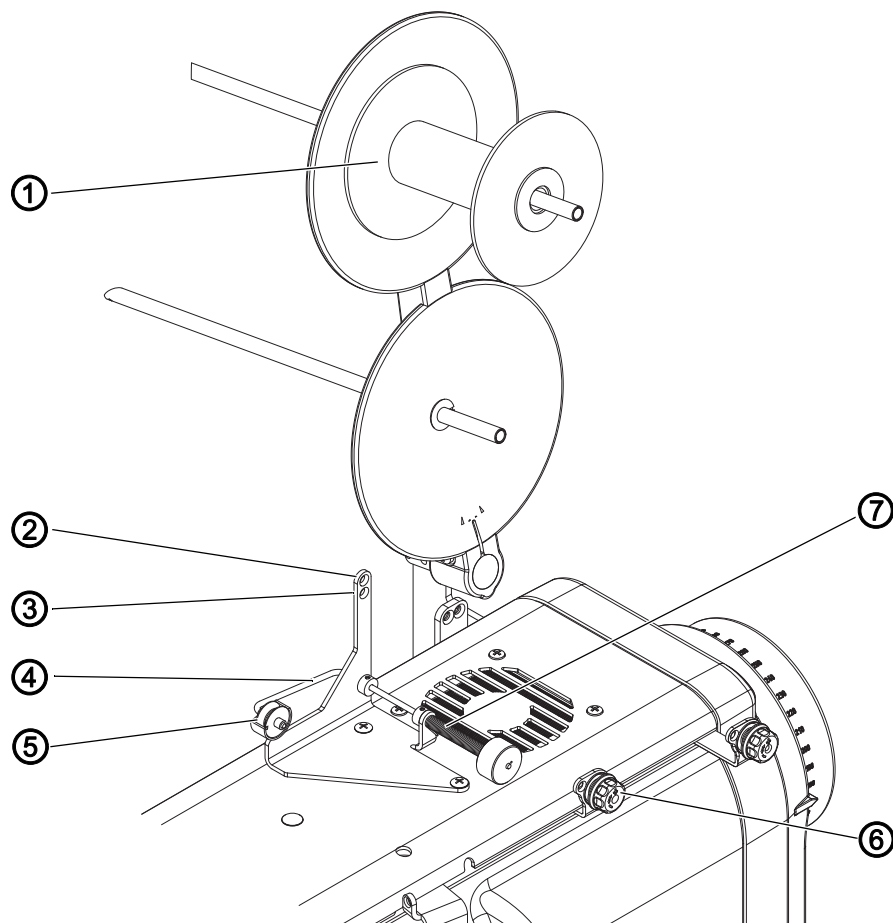
2 Operation of the device

The additional device can be used in all machines of the H-type series (967 and 969) to prevent the needle thread reel from unwinding in an irregular manner during sewing and while the thread is being forcefully advanced during cutting.

The needle thread is unwound from the bobbin (1) and guided to the sewing mechanism of the machine through the upper slot of the holder (2) via the roller (5), through the lower slot of the holder (3) and via the pre-tensioner (6).

The roller (5) oscillates on the lever (4) and is returned to its initial position by the spring (7). While the thread is advanced with great force, the roller (5) is turned, loosening the thread. The spring (7) will then return the roller (5) to its initial position, while the thread is **slowly** unwound from the bobbin.

Fig. 1: Description of the device



- | | |
|--------------------------------|---------------------|
| (1) - Bobbin | (5) - Roller |
| (2) - Upper slot of the holder | (6) - Pre-tensioner |
| (3) - Lower slot of the holder | (7) - Spring |
| (4) - Lever | |

3 Assembling, threading and setting up



WARNING

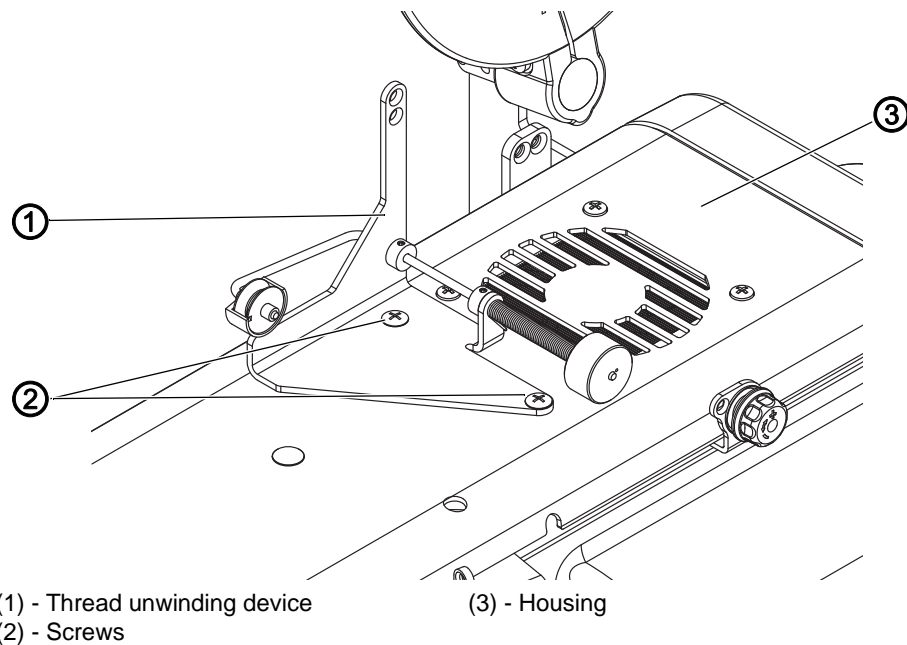


The kit may only be assembled by a qualified specialist so as to avoid disturbances at the entire device.

Turn off the main switch before assembling the machine.

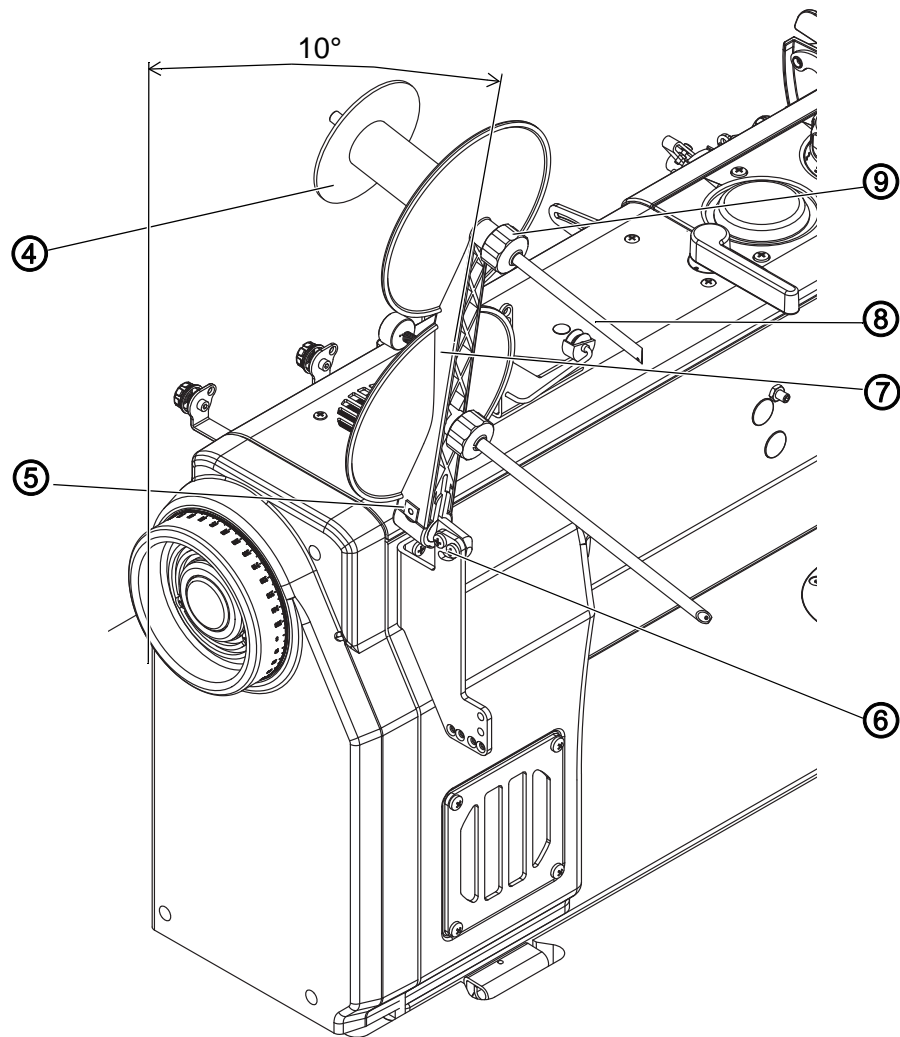
3.1 Assembling

Fig. 2: Assembling the device



1. Loosen the existing screws (2) on the arm cover (3).
2. Position the device (1) as shown in the figure.
3. Re-tighten the screws (2).

Fig. 3: Assembling the thread reel holder



- | | |
|--------------|------------------------------|
| (4) - Bobbin | (7) - Thread reel holder arm |
| (5) - Screw | (8) - Tube |
| (6) - Screw | (9) - Nut |

4. Loosen screws (5) and (6).
5. Move the thread reel holder arm (7) to the position shown.
6. Re-tighten screws (5) and (6).



Important

The thread reel holder must be tilted towards the rear by approx. 10° to prevent the bobbin (4) from tipping and to ensure that it is slowed down by the friction generated between the side wall of the bobbin and the thread reel holder arm (7).

7. Loosen the nut (9), move the tube (8) to the position shown, and tighten the nut (9).
8. Remove the foam pad from the tube (8) to keep the friction between the bobbin (4) and the thread reel holder arm (7) from becoming too great.

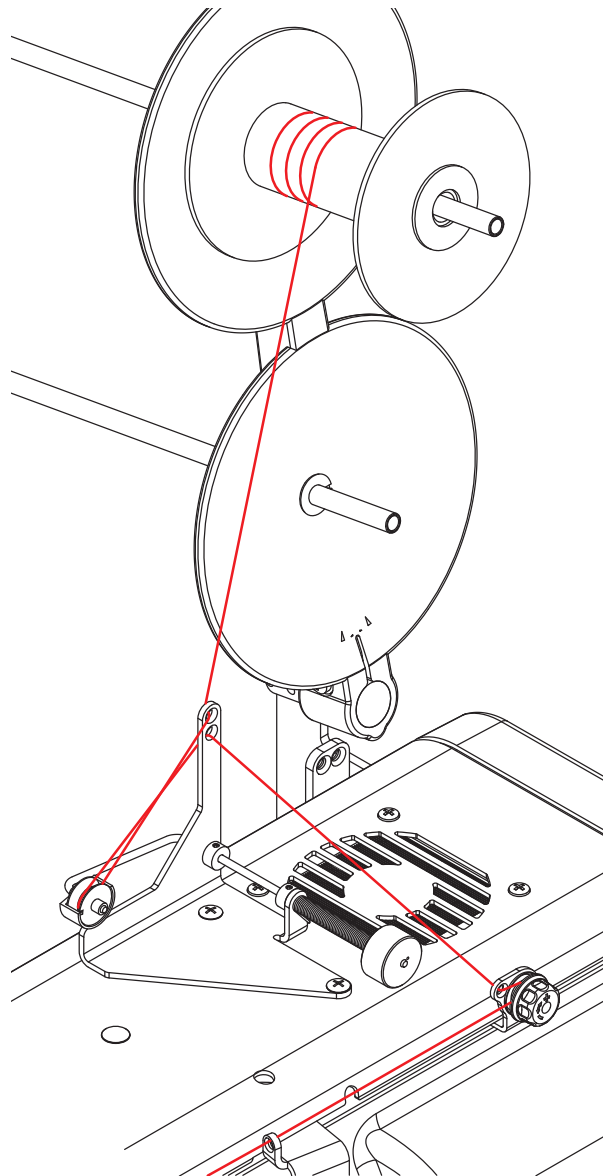


Important

Caution! If the foam pad is not removed, the device cannot be set up for proper functionality.

3.2 Threading of the needle thread

Fig. 4: Threading of the needle thread



1. Thread the needle thread at the top as shown in the figure.



Information

The roller is fitted with a slot into which the thread is inserted during threading, making it easier to wrap the thread around the roller


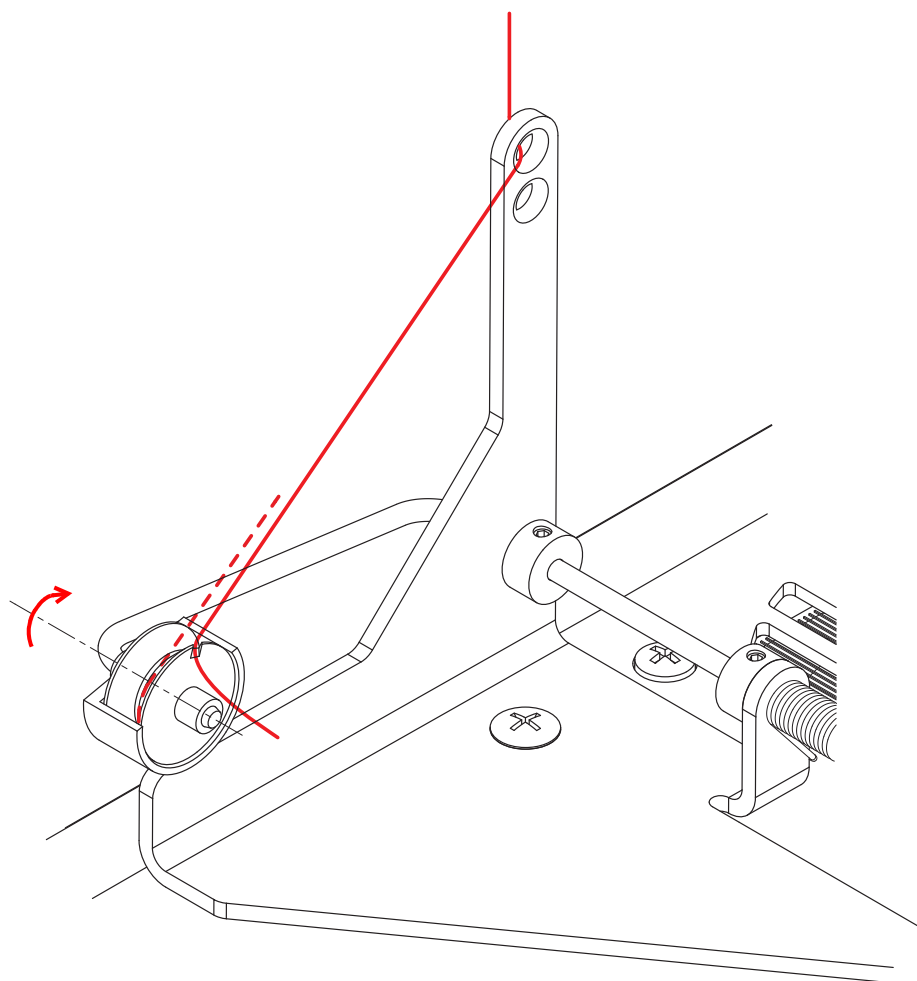
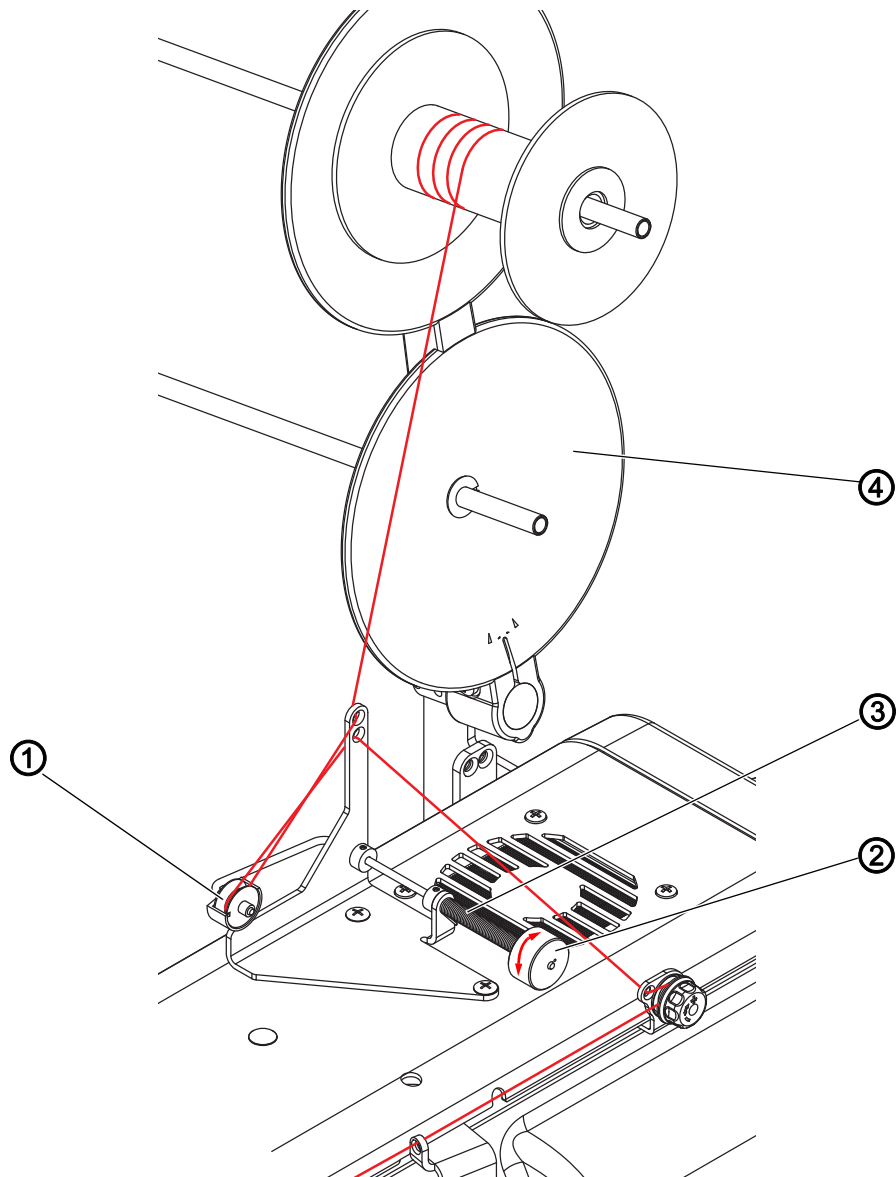
 Fig. 5: Detailed view of roller with slot, p. 8.

Fig. 5: Detailed view of roller with slot



3.3 Setting

Fig. 6: Setting



- | | |
|------------------------|------------------------------|
| (1) - Roller | (3) - Spring |
| (2) - Adjustment screw | (4) - Thread reel holder arm |

1. Thread the needle thread into the device, sew with a larger stitch length and press the thread cutter.
2. If the roller (1) remains at its initial position (i.e. is not moving) when the thread tightening process is interrupted, check if the thread reel holder arm (4) is tilted towards the rear by approx. 10° and if the bobbin is slowed down sufficiently. If this is the case, reduce the pretension of the spring (3) by turning the adjustment screw (2) counterclockwise (it must rotate against the shaft onto which it has been slipped).
3. Check for proper functionality and make corrections if necessary.

4. If the roller (1) rotates during the thread tightening process and does not return to its initial position, the pretension of the spring (3) is too low. Increase by turning the adjustment screw (2) on the shaft clockwise.
5. Check for proper functionality and make corrections if necessary.



DÜRKOPP ADLER GmbH
Potsdamer Str. 190
33719 Bielefeld, Germany
Germany
Phone: +49 (0) 521 925 00
Email: service@duerkopp-adler.com
www.duerkopp-adler.com