



755/756

Additional Instructions

Tape feeder

IMPORTANT
READ CAREFULLY BEFORE USE
KEEP FOR FUTURE REFERENCE

All rights reserved.

Property of Dürkopp Adler AG and protected by copyright. Any reuse of these contents, including extracts, is prohibited without the prior written approval of Dürkopp Adler AG.

Copyright © Dürkopp Adler AG 2018

1	General information	3
2	Tape feeder	4
2.1	Assembling and connecting the tape feeder	4
2.2	Setting the height of the tape feeder	9
2.3	Aligning the tape roll holder	10
2.4	Inserting the reinforcement strip	11
2.5	Setting up the tape feeder in the software	13

1 General information

Components of the kit

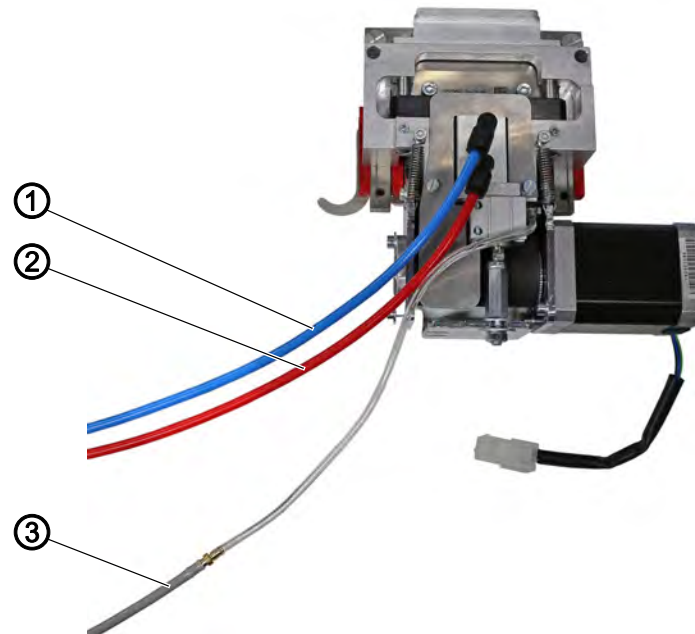
Check whether the scope of delivery for kit 0755 590904 VES is correct prior to installation.

Part number	Quantity	Designation
0755 512454	1	Toothed belt drive
0755 512444	1	Tape feeder
0217 000775	2	Tension spring
9202 002097	2	Cylinder-head bolt M4x16
9205 101877	2	Threaded pin M4x8
9202 002537	2	Cylinder-head bolt M5x35
9330 000097	6	Washer
9202 002487	4	Cylinder-head bolt M5x12
0755 512514	1	Guide carrier
0755 590914	1	Roll holder
9710 063411	2	Magnet valve
0798 120401	1	Cord clip
0755 512613	1	Suction pipe
0755 400990	1	Bracket
0755 591714	1	Dual SM card
0791 755700 EN	1	Additional Instructions

2 Tape feeder

2.1 Assembling and connecting the tape feeder

Fig. 1: Assembling and connecting the tape feeder (1)



(1) - Pneumatic hose
(2) - Pneumatic hose

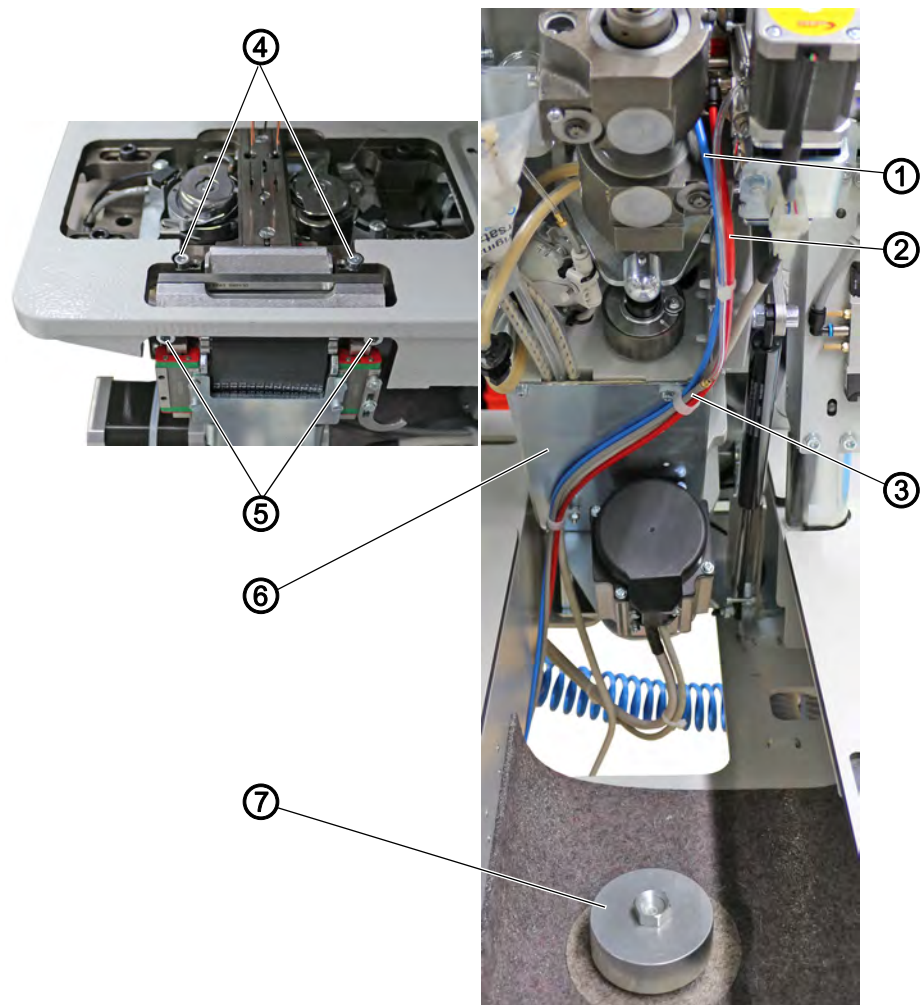
(3) - Pneumatic hose



To assemble and connect the tape feeder:

1. Connect pneumatic hoses (1) and (2) to the tape feeder.
 - blue: Cut tape (finish cutting)
 - red: Cut tape (start cutting)
2. Use the connecting piece to connect pneumatic hose (3) with the transparent hose of the tape feeder.
 - gray: Press on/loosen tape
3. Remove the fabric sliding plate.
4. Swivel up the machine head.

Fig. 2: Assembling and connecting the tape feeder (2)



- (1) - Pneumatic hose
- (2) - Pneumatic hose
- (3) - Pneumatic hose
- (4) - Screws

- (5) - Screws
- (6) - Plate
- (7) - Machine head centering device



5. Insert the tape feeder.
6. Tighten screws (4) and (5).
7. Use clips to assemble pneumatic hoses (1), (2) and (3) to the plate (6).

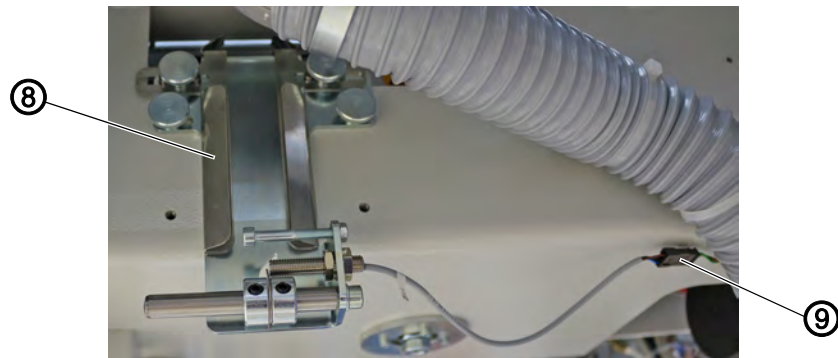


Important

Make sure pneumatic hoses (1), (2) and (3) do NOT rest on the machine head centering device (7) when you fold down the machine head.

8. Guide pneumatic hoses (1), (2) and (3) under the machine head and fix them in place at the existing cables using cable ties.

Fig. 3: Assembling and connecting the tape feeder (3)



(8) - Guide rail

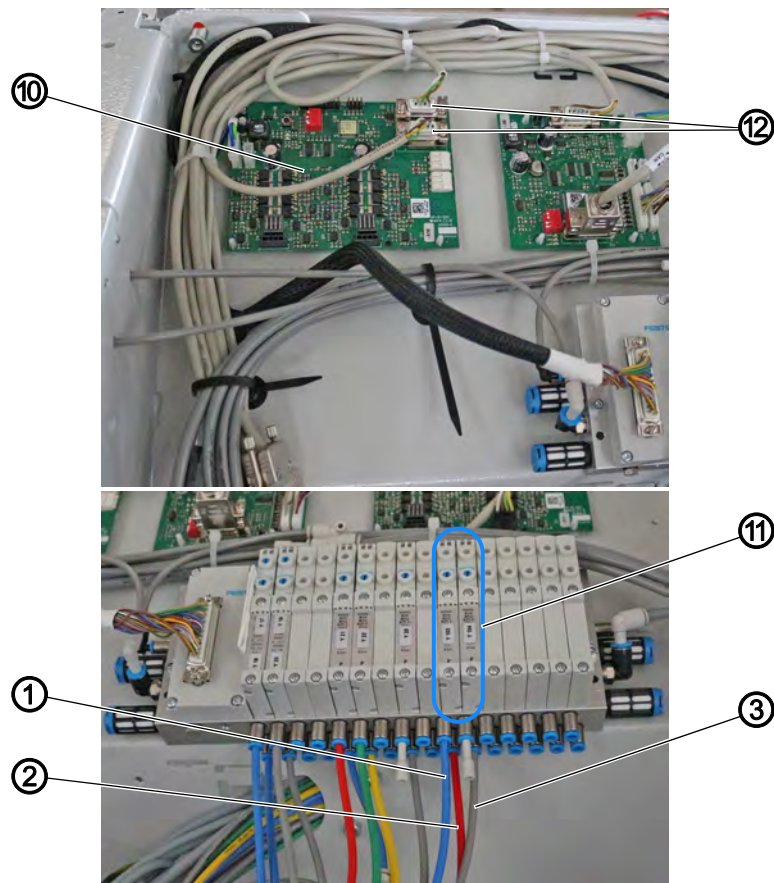
(9) - Cable



9. Assemble the guide rail (8).

10. Connect the cable (9) with the plug.

Fig. 4: Assembling and connecting the tape feeder (4)



(1) - Pneumatic hose

(2) - Pneumatic hose

(3) - Pneumatic hose

(10) - Circuit board

(11) - Valves

(12) - CAN cables

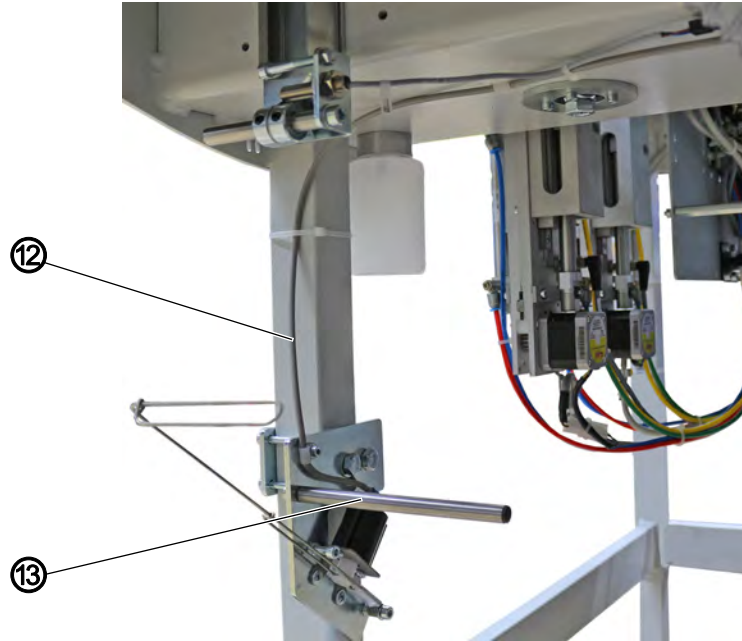


11. Assemble the circuit board (10) and connect it to the control using the CAN cables (12).

12. Assemble the valves (11) on top of the valve block.

13. Connect pneumatic hoses (1), (2) and (3) at the magnet valve block.
- blue (1): **Y103 - 2**
 - red (2): **Y103 - 4**
 - blanking plug: **Y104 - 2**
 - gray (3): **Y104 - 4**

Fig. 5: Assembling and connecting the tape feeder (5)



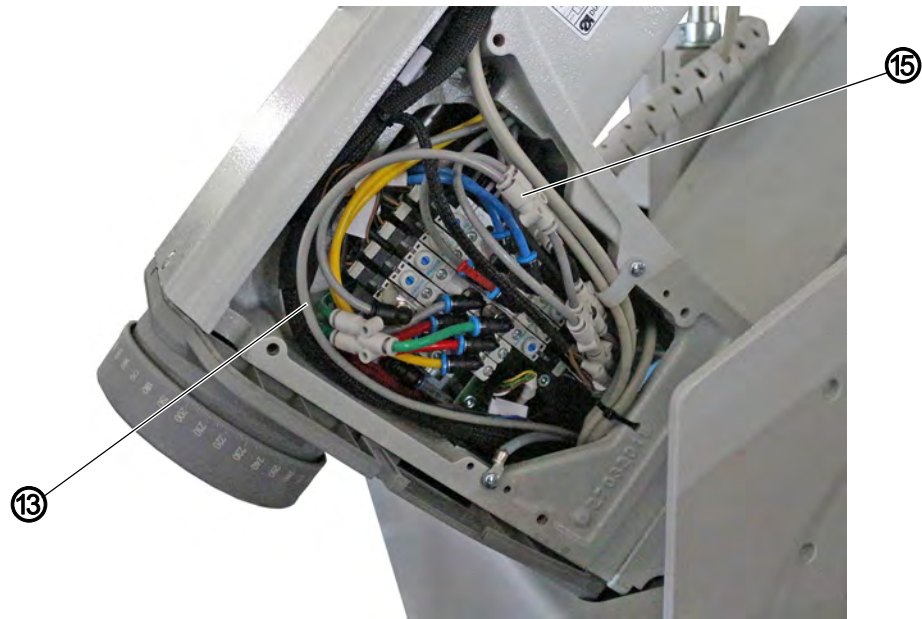
(13) - Pneumatic hose

(14) - Tape roll holder



14. Assemble the tape roll holder (14).
15. Fit the pneumatic hose (13) for the tape puller and lay it below the machine.
16. Use cable ties and clips to fix the pneumatic hose (13) in place.

Fig. 6: Assembling and connecting the tape feeder (6)



(13) - Pneumatic hose

(15) - Y-connection



17. Remove the valve cover.
18. Swivel up the machine head.
19. Lay the pneumatic hose (13) through the machine arm from below.
20. Use a Y-connection (15) to connect the pneumatic hose (13) to a hose of valve **X814**.
21. Place the valve cover.
22. Swivel down the machine head.

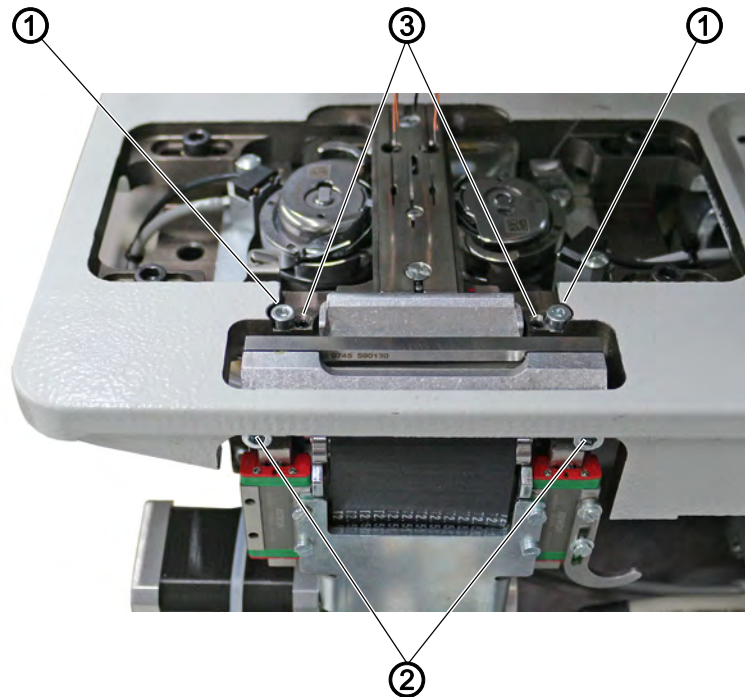
2.2 Setting the height of the tape feeder



Proper setting

The upper edge of the tape feeder must be flush with the fabric sliding plate.

Fig. 7: Setting the height of the tape feeder



(1) - Screws
(2) - Screws

(3) - Threaded pins

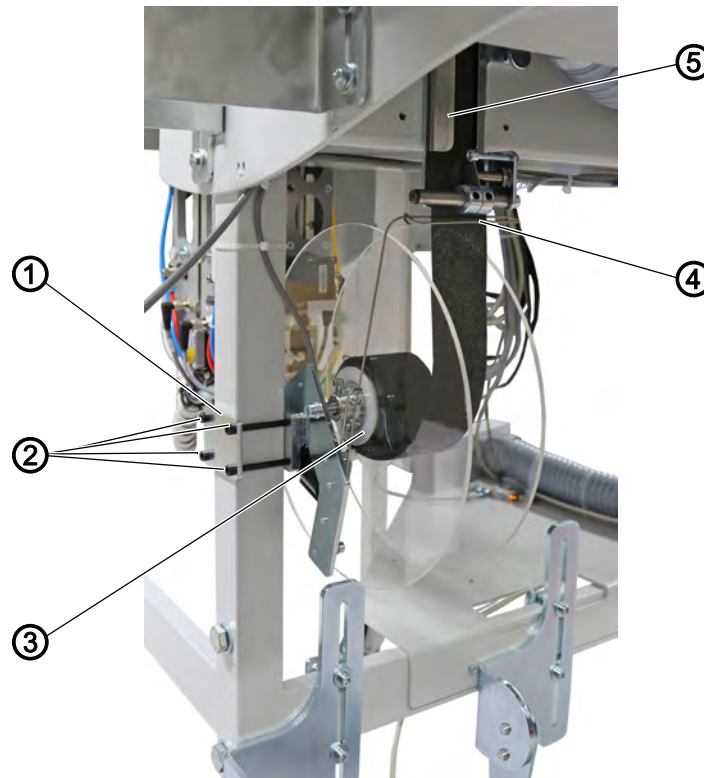


To set the height of the tape feeder:

1. Remove the fabric sliding plate.
2. Swivel up the machine head.
3. Loosen screws (1) and (2).
4. Turn the threaded pins (3) to set the height.
 - To set the tape feeder higher: Reduce the screw-in depth of the threaded pins (3)
 - Set the tape feeder lower: Increase the screw-in depth of the threaded pins (3)
5. Tighten the screws (1).
Make sure that the set height of the tape feeder does not shift.
6. Tighten the screws (2).

2.3 Aligning the tape roll holder

Fig. 8: Aligning the tape roll holder



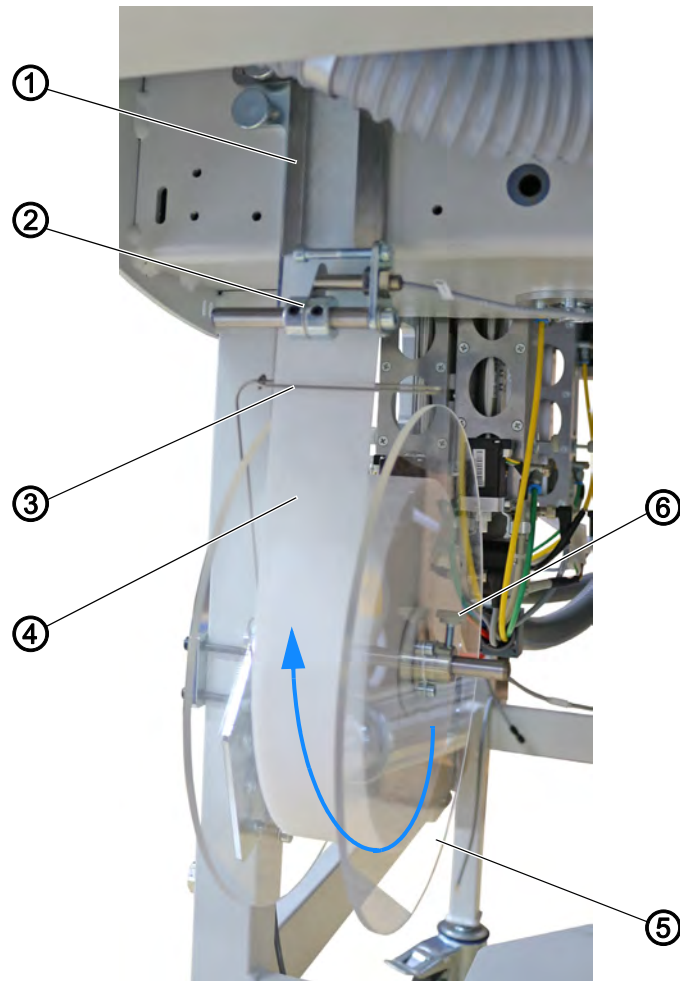
- | | |
|------------------------|------------------------|
| (1) - Plate | (4) - Advancing device |
| (2) - Screws | (5) - Guide rail |
| (3) - Tape roll holder | |



- Align the tape roll holder (3) at the stand using the plate (1) and the screws (2).
Make sure there is enough clearance between the tape roll holder (3) and the pedal fastening.
Make sure that the tape roll holder (3) is attached in the center below the guide rail (5). The reinforcement tape must run straight from the tape roll holder (3) into the guide rail (5).
- Position the advancing device (4) below the guide rail (5).
Make sure the loose reinforcement tape is not obstructed by the advancing device (4).

2.4 Inserting the reinforcement strip

Fig. 9: Inserting the reinforcement strip (1)



(1) - Guide
(2) - Tape monitor
(3) - Advancing device

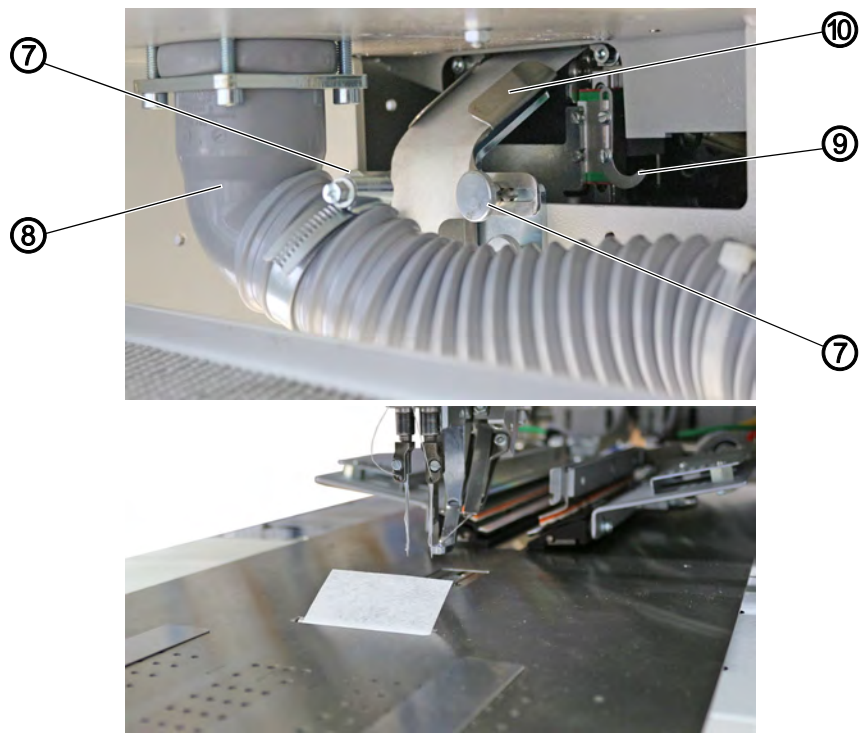
(4) - Reinforcement strip
(5) - Washer
(6) - Knurled screw



To insert the reinforcement strip:

1. Pull the knurled screw (6) and the disk (5) off to the side.
2. Insert the tape roll.
Follow the tape pulling direction.
3. Place the disk (5) and tighten it using the knurled screw (6).
Ensure that the disk (5) clamps the tape roll securely.
4. Feed the reinforcement strip (4) from bottom to top through the advancing device (3).
5. Insert the reinforcement strip (4) into the guide (1) behind the tape monitor (2).

Fig. 10: Inserting the reinforcement strip (2)



(7) - Knurled screws
(8) - Suction pipe

(9) - Hook
(10) - Guide



6. Feed the reinforcement strip (4) into the guide (9).
7. Push up the hook (8) and the reinforcement strip (4) until the reinforcement strip (4) juts out through the cutout in the fabric sliding plate.

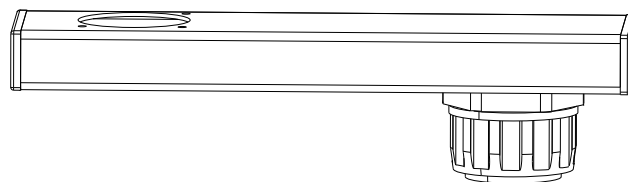


Information


You can use the knurled screws (7) to adjust the guide (9) to the width of the reinforcement strip (4).

Replacing the suction pipe

Fig. 11: Replacing the suction pipe




To allow for an easier insertion of the reinforcement strip, you can replace the suction pipe (8) with the flat suction pipe that is included in the kit.

8. Switch on the machine.
 9. Press the  button.
- ↪ The reinforcement strip (4) is cut to the correct length.

2.5 Setting up the tape feeder in the software

Fig. 12: Setting up the tape feeder in the software (1)




- To set up the tape feeder in the software:
 1. Open the menu *Service > Machine configuration* and press the  button.

↪ The tape feeder is switched on.

Fig. 13: Setting up the tape feeder in the software (2)



2. Open the menu *Program parameters > Automatic tape feeder* to set the tape length at seam beginning and seam end as well as the transport clamp speed during transport ( *Operating Instructions*).



DÜRKOPP ADLER AG
Potsdamer Str. 190
33719 Bielefeld
Germany
Phone: +49 (0) 521 925 00
Email: service@duerkopp-adler.com
www.duerkopp-adler.com